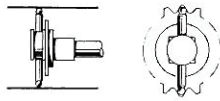


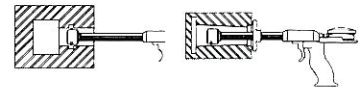
Internal Pitch Diameter Bore Gage

Internal bore diameter Internal P.D. gears—splines



Retractable Bore Gage

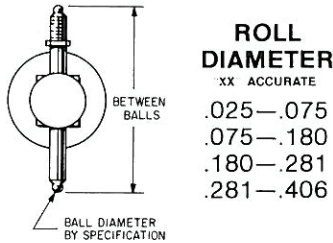
Groove Dia. (2 pt.) ID of Taper at given depth (3 pt.)
Deep Bore (3 pt.)



The Internal Pitch Diameter gage is a specific "single dimension" gage utilizing the unique features of the bore gage. It is adapted solely to check the internal diameter of gears and splines but can be used to check any internal dimension where centralization is not necessary.

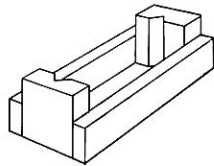
It is furnished with carbide balls for gaging contacts, and the dial indicator graduated .0001". The Indicator housing can rotate a full 360°.

MODEL	RANGE	GAGING DEPTH
BPG-1	.500—1.000	3"
BPG-2	1.000—1.750	3"
BPG-3	1.750—3.000	5"
BPG-4	3.000—6.000	6"
BPG-5	6.000—13.000	6"



Fixed Diameter and Ball size specified by customer.

Each gage has a counterpart fixed setmaster simulating the part for reference.

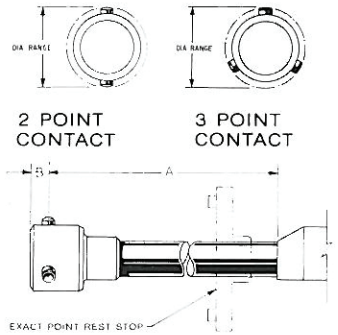


The Retractable Bore gage is designed to check internal diameter conditions requiring retraction of the gaging contacts to allow entry in recessed areas.

This gage is available in two point or three point systems with all contact points transferring to the Dial indicator. It offers versatility through use of interchangeable contact points, distance of retraction, length of gaging depth, and the use of "stops" to restrict the depth of contact.

Dial Indicators with .0001" graduations are normally furnished. Master Rings are recommended for reference masters.

*MODEL	RANGE
BJ-300	1.500—3.000
BJ-600	3.000—6.000



*Models are complete with extensions and adapters.

"A" Dimension 12"
"B" Dimension .343

ORDERING:

Specify two or three point contacts.